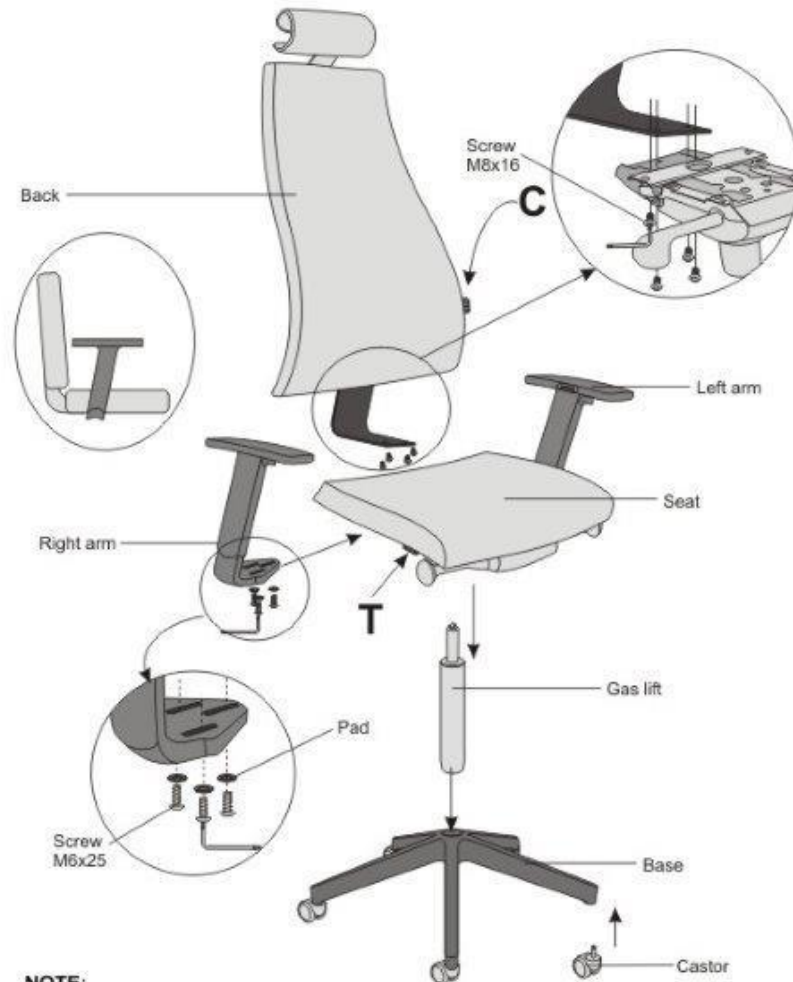


VIDEN

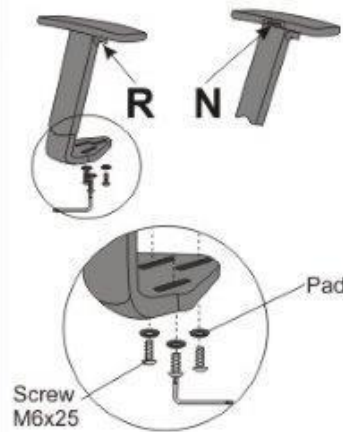
Mounting and using depends on the options which have been chosen for each product. Before mounting and using of the chair, READ the instructions.



NOTE:

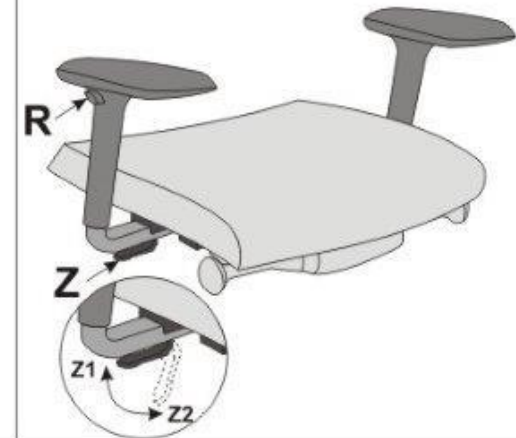
H wheels – onto soft base
W type wheels – onto hard base

R41



R60/R62/R61/R63

GBUNI29



ARMREST TYPE „R“

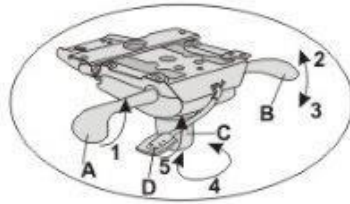
- Left, right, back and forth sliding armrest's pads (R61, R63)
- Left, right, back and forth sliding armrest's pads - N (R41).
- The arm height adjustment - R (R41, R60, R62, R61, R63).
- The armrest's width adjustment - press Z lever; Z1 - Locked, Z2 - Unlocked (R60, R62, R61, R63)

- The backrest height adjustment:

The backrest returns to the lowest position, once the highest position is passed. In order to adjust the backrest to your desired position first slide the backrest fully up and let itself to slide down, then gradually move up the backrest to the required position.

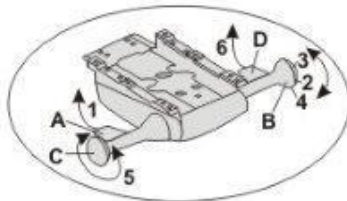
- Headrest angle adjustment, headrest height adjustment (HR),
- Seat depth adjustment - T (LP11-ST, LP11-N-ST).
- Lumbar support depth adjustment - C (LSD2)

ES/FST



- A1 - Gas height adjustment
- B2 - Free floating
- B3 - Mechanism in locked position
- C4 - Tension adjustment knob
- D5 - Seat depth adjustment

LP11TN/LP11-N-ST



- A1 - Gas height adjustment
- B2 - Free floating
- B3 - Mechanism in locked position
- B4 - Angle regulation of the seat up front. To tilt the seat up front you need to turn the knob **B** to position **4** and push the back onto the backrest once. To block the seat in this position you need to turn the knob **B** to position **2**. Returning the seat to neutral position: turn the knob **B** to position **4** and push your back onto the backrest once, turn the knob **B** to position **2** and push onto the backrest until you hear the 'click' sound
- C5 - Tension adjustment knob
- D6 - Seat depth adjustment

MAINTENANCE

Inspection Inspect chair at least every six months to make sure all knobs, bolts and screws are tight.

Upholstery Whisk or vacuum regularly. For unusual stains use commercial nylon cleaner, following manufacturer's instructions.

Vinyl upholstery Wipe with damp cloth, moistened in a mild detergent solution. For unusual stains use commercial vinyl cleaner, following manufacturer's instructions.

Fabric upholstery Whisk or vacuum regularly. For unusual stains use commercial nylon cleaner, following manufacturer's instructions.

Other surfaces Wipe with a soft cloth, moistened in a mild detergent solution. Dry and buff lightly with a dry cloth.

Attention Exchange and installation of gas-lifts should only be carried out by trained specialists.