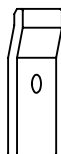
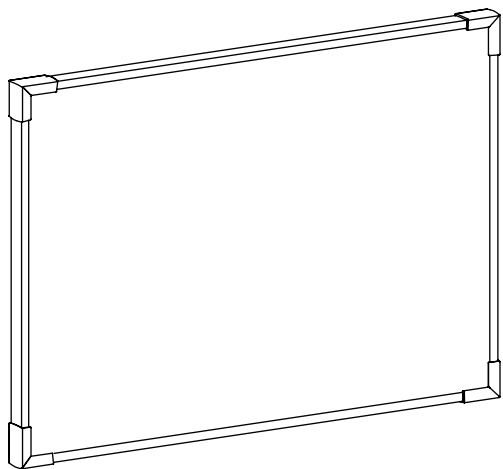


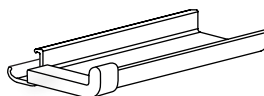
Mounting Instruction



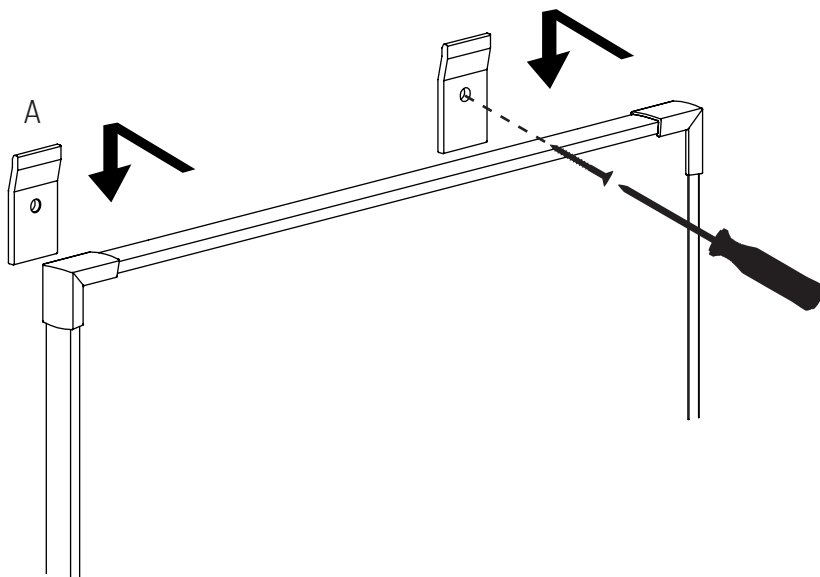
A x 2-5



B x 0-4

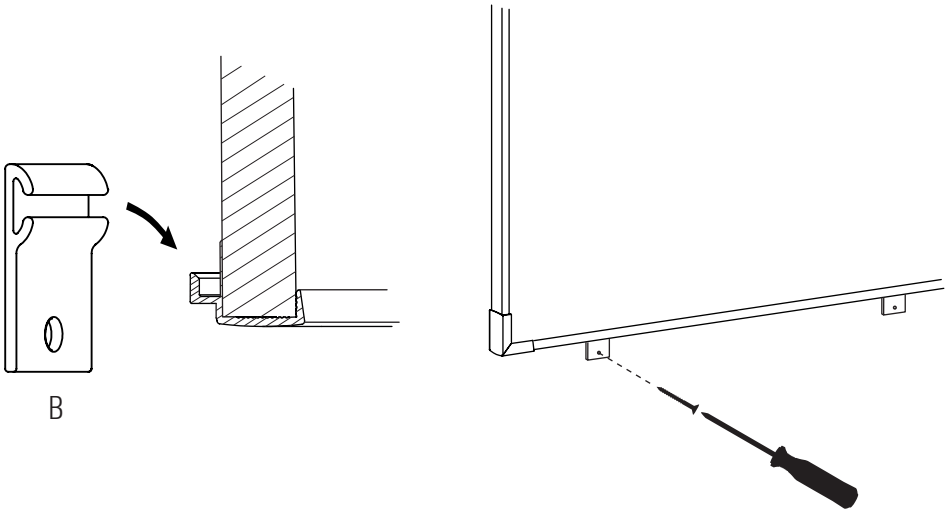


C x 1

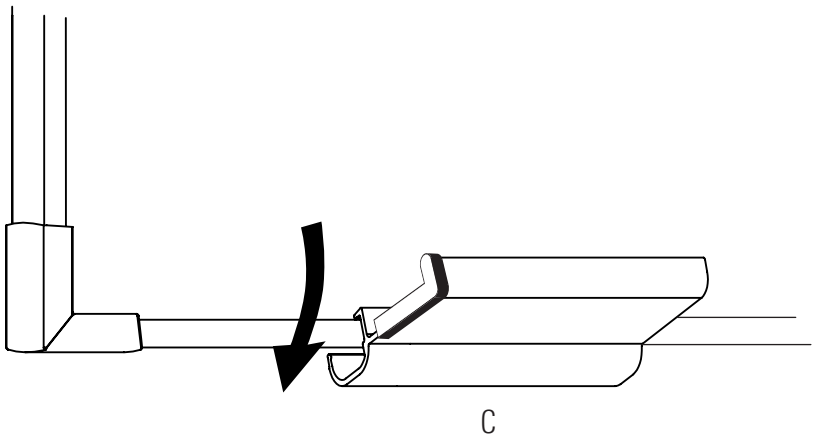


1.

Mounting Instruction



2.



3.

